

## MEDIDOR DE VAZÃO COMPACTO TIPO VORTEX PARA LIQUIDOS DE BAIXA VISCOSIDADE SERIE DVZ



- Range:  
0.5-4.5 to 10-100 L/min
- Accuracy:  
 $\pm 2.5\%$  F.S.
- $p_{max}$  10 bar;  $t_{max}$  80 °C
- Connections:  
G 1/4...G 1, 1/4 NPT...1 NPT
- Connection material:  
Brass or stainless steel
- Switching output, frequency output, analogue output
- Compact electronics with digital display



DVZ-...S300

DVZ-...F300  
DVZ-...L303  
DVZ-...L343

DVZ-...L443

DVZ-...L443  
(usage with AUF-3000)

DVZ-...C3...  
(Compact electronics)

**Description**

The compact KOBOLD Vortex flow meter Type DVZ is used for measuring and monitoring smaller and medium-sized flow of low viscosity, water-like liquids in pipes. The device works using the vortex principle, making it virtually maintenance-free. This involves the installation of a sharp-edged object (the vortex generator) in the flow duct. Vortices are created behind the object whose frequency is proportional to the velocity of flow of the liquid. The flow volume can be determined with a very great degree of accuracy by measuring the vortex frequency. This achieves a very high linearity over the whole measuring range.

The device can be fitted with switching, frequency or analogue outputs. There is also an optional compact electronics package that includes a digital display, and both a switching and analogue output. Dosing and metering electronics are currently being developed.

**Areas of application**

- Monitoring the flow of low viscosity liquids
- Measuring of aggressive, high-purity or salty solutions
- Unsuitable for abrasive media or media containing a large proportion of fibres

**Technical Data**

Measurement process: Vortex principle  
 Mounting position: Any, flow in direction of arrow  
 Accuracy: ±2.5% of F.S.  
 Repeat accuracy: ±1% of F.S.  
 Inlet/outlet runs: 10x DN  
 Operating temperature: 0...80° C  
 Max. pressure: 10 bar  
 Max. pressure loss: 0.25 bar at F.S.

**Wetted parts**

Sensor housing: PPS, fibreglass-reinforced  
 Sensor: PVDF  
 Connections: Brass, nickel plated or stainless steel 1.4404  
 Bluff body: PPS, fibreglass-reinforced or oxide ceramic (non-wear version)  
 Seal: NBR, EPDM or FPM  
 Response time: 1 s  
 Protection: IP 65  
 Weight: depending on version (see table)

Model	Weight fixed connections	Weight rotatable connect.
DVZ-...S300 DVZ-...F300 DVZ-...L3*3 DVZ-...L443	approx. 0.50 kg	approx. 0.90 kg
DVZ-...C3...	approx. 0.65 kg	approx. 1.10 kg

No responsibility taken for errors; subject to change without prior notice.

**Technical Data** (continued)

DVZ-...S300

Display: Duo-LED for switching condition and when range limit is exceeded

Switching output: Relay change over, max. 1 A/30 V<sub>DC</sub>

Switch point: 10...100% FS in 10%-steps that can be configured by the customer using a rotary switch

Power supply: 24 V<sub>DC</sub> ± 20%

Power consumption: 12 mA

Electr. connection: Plug M12x1, 5 pole

DVZ-...F300

Pulse output: PNP, Open Collector, max. 200 mA

Power supply: 24 V<sub>DC</sub> ± 20%

Power consumption: 5 mA

Electr. connection: Plug M12x1

DVZ-...L303; DVZ-...L343

Output: 0(4)-20 mA, 3-wire

Max. load: 500 Ω

Power supply: 24 V<sub>DC</sub> ± 20%

Electr. connection: Plug M12x1

DVZ-...L443 (usage with AUF-3000)

Output: 4-20 mA, 3-wire

Max. load: 500 Ω (250 Ω with AUF-3000)

Power supply: 24 V<sub>DC</sub> ± 20%

Electr. connection: Plug DIN 43650

DVZ-...C30\* (compact electronics)

Display: 3-digit LED

Type of switch. output: 2 Open Collector PNP or NPN, factory set, max. 300 mA

Contact function: N/C, N/O, frequency, programmable

Programming: with 2 keys

Power supply: 24 V<sub>DC</sub> ± 20%, 3-wire techn.

Power consumption: approx. 100 mA

Electr. connection: Plug M12x1, 5-pole

DVZ-...C34\* (compact electronics)

Display: 3-digit LED

Analogue output: (0)4...20 mA adjustable

Type of switch. output: 1 Open Collector PNP or NPN, factory set, max. 300 mA

Contact function: N/C, N/O, frequency, programmable

Programming: with 2 keys

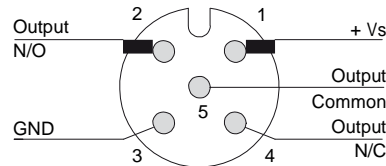
Power supply: 24 V<sub>DC</sub> ± 20%, 3-wire techn.

Power consumption: approx. 100 mA

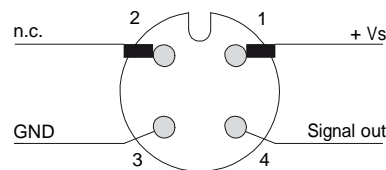
Electr. connection: Plug M12x1, 5-pole

**Electrical connections:**

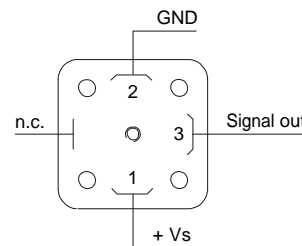
DVZ-...S300



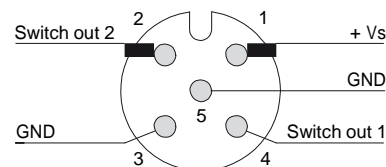
DVZ-...F300; DVZ-...L3x3



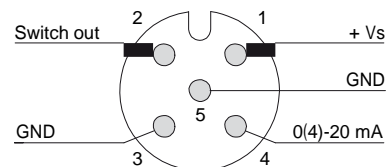
DVZ-...L443



DVZ-...C30\*



DVZ-...C34\*



No responsibility taken for errors; subject to change without prior notice.

Order data (Example: DVZ-1 1 04 G2 S300)

Storage body	Connection/ Seal	Measuring range	Connections		Electronics
			fixed	rotatable	
DVZ-1..=PPS DVZ-2..=Ceramic	..1..= Brass/NBR ..2..= St. steel/NBR ..4..= Brass/EPDM ..5..= St. steel/EPDM ..7..= Brass/FPM ..8..= St. steel/FPM	..04..= 0.5-4.5 L/min ..07..= 0.8-7.0 L/min ..10..= 1.0-10.0 L/min	..G2..= G 1/4 ..G3..= G 3/8 ..G4..= G 1/2 ..N2..= 1/4 NPT ..N3..= 3/8 NPT ..N4..= 1/2 NPT	..B2..= G 1/4 ..B3..= G 3/8 ..B4..= G 1/2 ..P2..= 1/4 NPT ..P3..= 3/8 NPT ..P4..= 1/2 NPT	..S300 = Switching output, M12-Plug, Relay output ..F300 = Frequency output, M12-Plug ..L303 = Analogue output, M12-Plug, 0-20 mA ..L343 = Analogue output, M12-Plug, 4-20 mA ..L443 = Analogue output, DIN-Plug, 4-20 mA
		..16..= 2.0-16.0 L/min	..G3..= G 3/8 ..G4..= G 1/2 ..G5..= G 3/4 ..N3..= 3/8 NPT ..N4..= 1/2 NPT ..N5..= 3/4 NPT	..B3..= G 3/8 ..B4..= G 1/2 ..B5..= G 3/4 ..P3..= 3/8 NPT ..P4..= 1/2 NPT ..P5..= 3/4 NPT	..C30R = Compact electron., 2xOpen Coll., PNP ..C30M = Compact electron., 2xOpen Coll., NPN ..C34P = Compact electron., 4-20 mA, 1x Open Coll., PNP ..C34N = Compact electron., 4-20 mA, 1x Open Coll., NPN
		..22..= 3.2-22.0 L/min ..32..= 4.0-32.0 L/min	..G4..= G 1/2 ..G5..= G 3/4 ..G6..= G 1 ..N4..= 1/2 NPT ..N5..= 3/4 NPT ..N6..= 1 NPT	..B4..= G 1/2 ..B5..= G 3/4 ..B6..= G 1 ..P4..= 1/2 NPT ..P5..= 3/4 NPT ..P6..= 1 NPT	
		..63*..= 5.0-63.0 L/min ..99*..= 10.0-100 L/min	..G5..= G 3/4 ..G6..= G 1 ..N5..= 3/4 NPT ..N6..= 1 NPT	..B5..= G 3/4 ..B6..= G 1 ..P5..= 3/4 NPT ..P6..= 1 NPT	

\* Measuring ranges in preparation

\* Please specify flow direction in the order

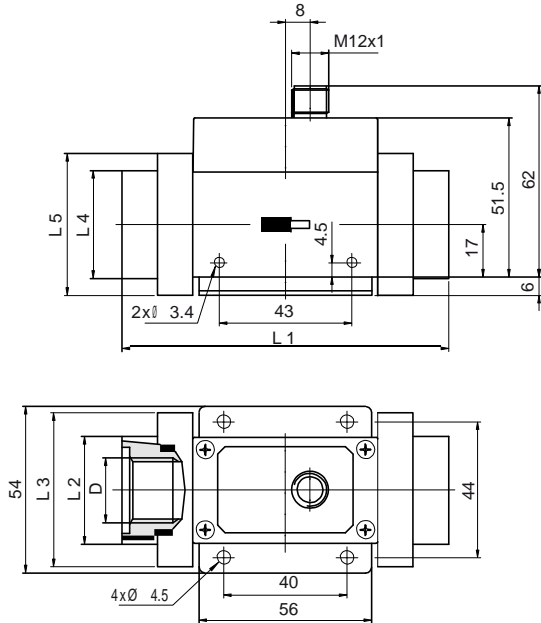
Pressure loss at range end value

Model	Meas. range end value [L/min]	Pressure loss [mbar]
DVZ-__04	4.5	420
DVZ-__07	7.0	650
DVZ-__10	10.0	780
DVZ-__16	16.0	600
DVZ-__22	22.0	450
DVZ-__32	32.0	370

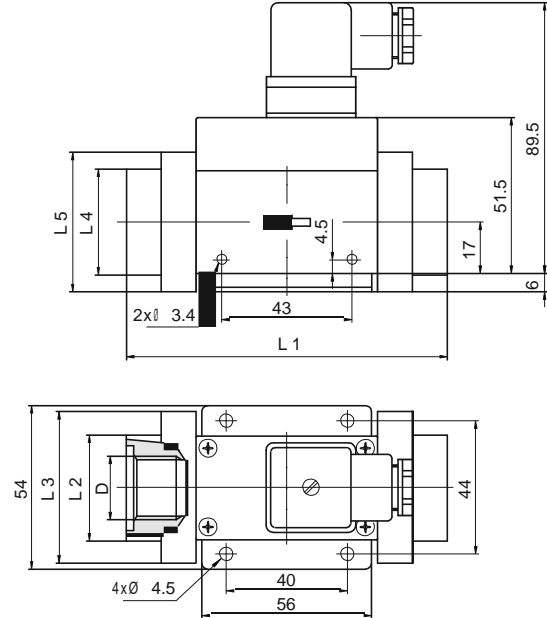
No responsibility taken for errors; subject to change without prior notice.

**Dimensions**

DVZ-...S300; DVZ-... F300; DVZ-...L3...  
with fixed connection



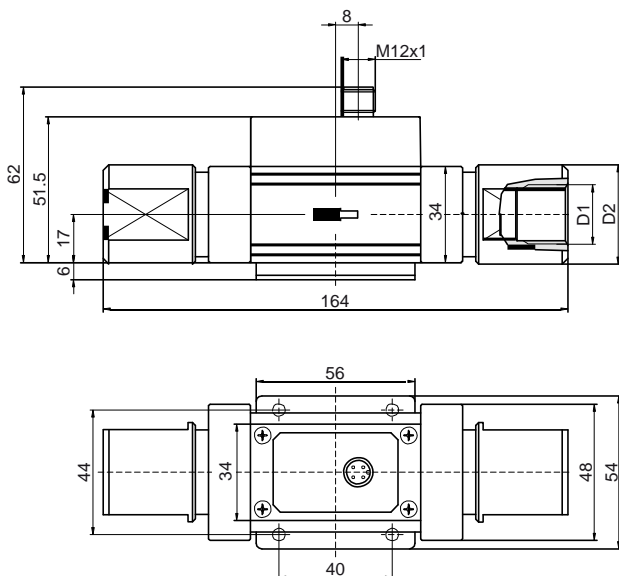
DVZ-...L443  
with fixed connection



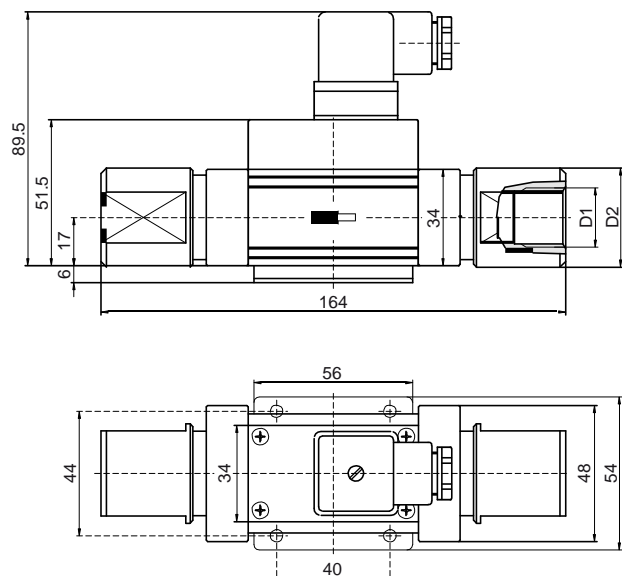
Dimensions for DVZ with fixed connection (G or NPT)

D	1/4"	3/8"	1/2"	3/4"	1"
L1	100	100	106	120	128
L2	35	35	35	34	-
L3	-	-	-	50	50
L4	35	35	35	34	-
L5	-	-	-	-	46

DVZ-...S300; DVZ-...F300; DVZ-...L3...  
with rotatable connection

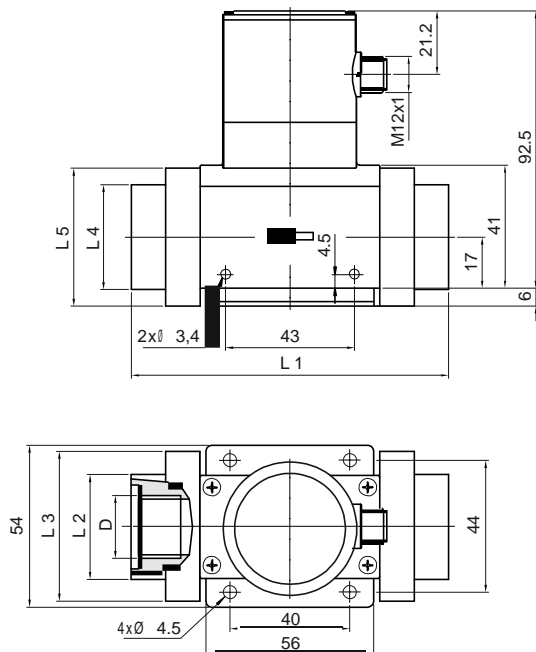


DVZ-...L443  
with rotatable connection



No responsibility taken for errors;  
subject to change without prior notice.

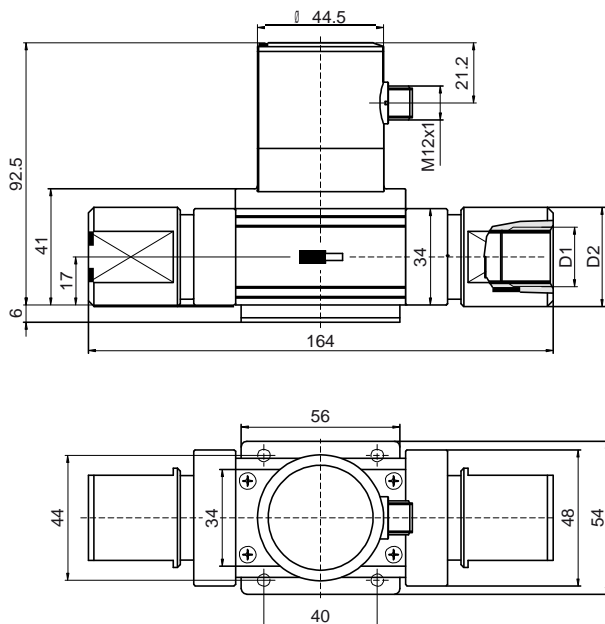
DVZ-...C3...  
with fixed connection



Dimensions for DVZ  
with fixed connection (G or NPT)

D	1/4"	3/8"	1/2"	3/4"	1"
L1	100	100	106	120	128
L2	35	35	35	34	-
L3	-	-	-	50	50
L4	35	35	35	34	-
L5	-	-	-	-	46

DVZ-...C3...  
with rotatable connection



No responsibility taken for errors;  
subject to change without prior notice.