

DIGIFLOW[®]

**Series PV-9000 Electronic
Gas Flowmeters**



Principles of operation

As gas flow initiated through the meter, a pressure drop is created. The unique laminar flow element forces the gas to travel in parallel paths. The friction of the molecules traversing the element package creates a pressure differential that is measured by the sensor located in the flowmeter body. This creates an extremely linear and accurate output signal that can be displayed or transmitted as an analog signal.

These units do not correct to STP, so they should be used only gases at stable temperature and pressure conditions.

PV Meter Specifications

RESPONSE TIME:	<60 MILLISEC
ACCURACY:	<+/- 2% FS
REPEATABILITY AT CONSTANT TEMPERATURE:	<+/- 1% FS
TURNDOWN RATIO:	50:1
PRESSURE DROP:	<0.5 PSI
TEMPERATURE RANGE:	10-60°C
SUPPLY VOLTAGE*:	5.3-26 VDC
SUPPLY CURRENT**:	3 mA
OUTPUT VOLTAGE:	0.2-2.7 V
OUTPUT SPAN:	2.5 V
OPTIONAL OUTPUT CURRENT:	4-20 mA
MAXIMUM INPUT PRESSURE:	100 PSIG
*Reverse polarity protection to 15 VDC maximum	
** 10 mA for units with display and RS232 output	

PV Series Flow Rates

CCM OF AIR	MODEL CODE
1-50	PV050CCM*
2-100	PV100CCM*
4-200	PV200CCM*
10-500	PV500CCM*
LPM OF AIR	
.02-1	PV001LPM*
.04-2	PV002LPM*
.1-5	PV005LPM*
.4-20	PV020LPM*
1-50	PV050LPM*

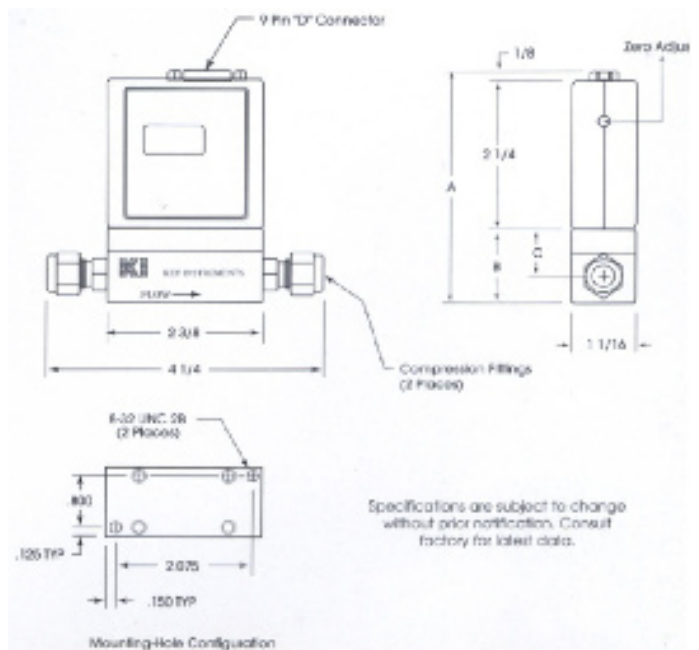
(*) DISPLAY/OUTPUT OPTIONS	
MODEL CODE	DESCRIPTION
00**	NO DISPLAY, VOLTAGE OUTPUT ONLY
0C**	NO DISPLAY, 4-20mA OUTPUT
0D**	DISPLAY, VOLTAGE OUTPUT
0S**	DISPLAY, RS232 OUTPUT

(**) STANDARD GAS OPTIONS			
AIR	O2	N2	
A	O	N	CO
			CO2
			ARGON
			AR

General Information

The PV meter is designed for use with most inert gases. This meter is available with an integral or remote digital display, 4-20 mA current signal, or 0.2-2.7 VDC output. All signals are linear with respect to flow, and are accurate to less than +/- 2% Full Scale. Inert gas flows range from 50 CCM to 50 LPM of air, with 50:1 turndowns.

The orientation of the meter can be filtered on either axis with little or no effect on flow rates. All units are supplied with an aluminum body, high-impact polycarbonate upper case, and compression fittings.



RANGE	DIMENSIONS			INCHES
	A	B	C	D
UP TO 5 LPM	3.47	.72	.365	1/8" NPT X 1/4" COMPRESSION FITTING
	68.14	18.29	9.27	
20 LPM	3.75	.996	.584	1/4" NPT X 1/2" COMPRESSION FITTING
	95.25	25.3	14.83	
50 LPM	3.875	1.125	.714	1/4" NPT X 1/2" COMPRESSION FITTING
	98.43	28.6	18.14	

Accessory Products

- 120 VAC to 12 VDC Power Adapter
- 220 VAC to 12 VDC Power Adapter
- Remote Digital Display
- RS232 Serial Communication port
- 6 Cable With "D" Connectors

Ordering Example:

PV200CCM0CA = 200 CCM Air with 4-20 mA Output
 PV050LPMDSN = 50 LPM N2 with display, RS232 Port