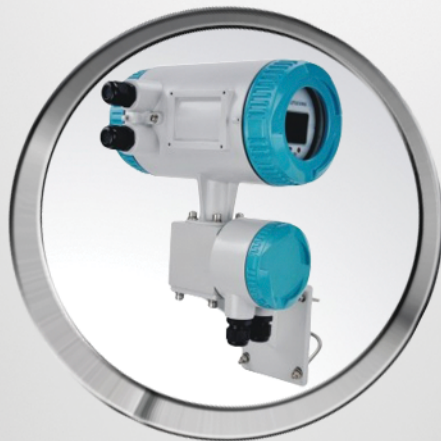


DIGIFLOW

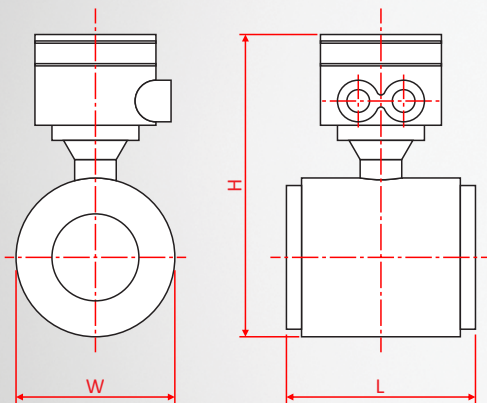
Clamped/sanitary electromagnetic Flow Meter

- Best accuracy: $\pm 0.5\%$, $\pm 0.2\%$;
- Excellent measuring accuracy to low velocity, could measure double direction flows;
- Buried sensor (IP68), no need to build measure well while installation;
- Precision coil winding technology, makes magnetic field more uniform;
- Build-in reference electrodes, no need to connect ground ring;
- Dual frequency excitation, and stable zero point;
- Self-diagnostic function, and intelligent operation;



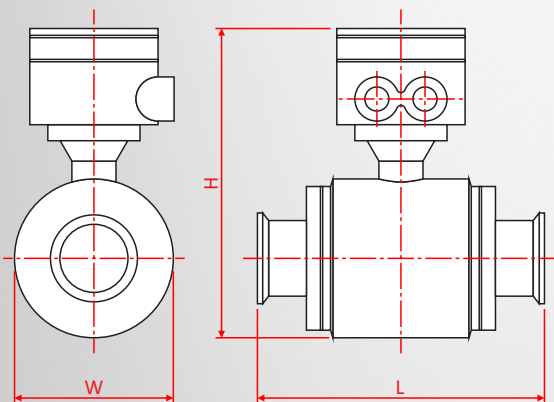
Clamped/sanitary electromagnetic Flow Meter

Main Specification	
Structure type	Integral type, remote type
Caliber	DN25-DN200mm
Body material	CS,304,316L
Accuracy	0.5% of the value displayed
Application	General type, Ex-proof type
Liner material	PTFE,PFA
Electrode material	SUS316L,HC,HB
Ground ring	SUS316L,HC,HB,Ti
Pipe connection	flange,clamp and tri-clamp
Min electrical conductivity	5 μ s/cm
Medium temperature	-20°C~+150°C
Power supply	AC100~240V,DC12~36V
Output signal	4~20mA,HART, MODBUS ,RS485,PROFIBUS



Figuration of clamped type
Electromagnetic flow sensor

Diameter	H(mm)	L(mm)	W(mm)
DN25	177	98	69
DN32	186	98	78
DN40	197	98	89
DN50	210	98	102
DN65	228	146	120
DN80	240	146	132
DN100	265	146	157
DN125	291	196	183
DN150	327	196	219
DN200	369	220	261



Figuration of sanitary type
Electromagnetic flow sensor

Diameter	H(mm)	L(mm)	W(mm)
DN25	191	200	83
DN32	202	200	94
DN40	202	200	94
DN50	216	200	108
DN65	223	250	115
DN80	243	250	135
DN100	267	250	159
DN125	291	300	183
DN150	327	300	219
DN200	369	300	261

DIGIFLOW Medição e Controle de Fluidos Ltda.

info@digiflow.com.br - www.digiflow.com.br