

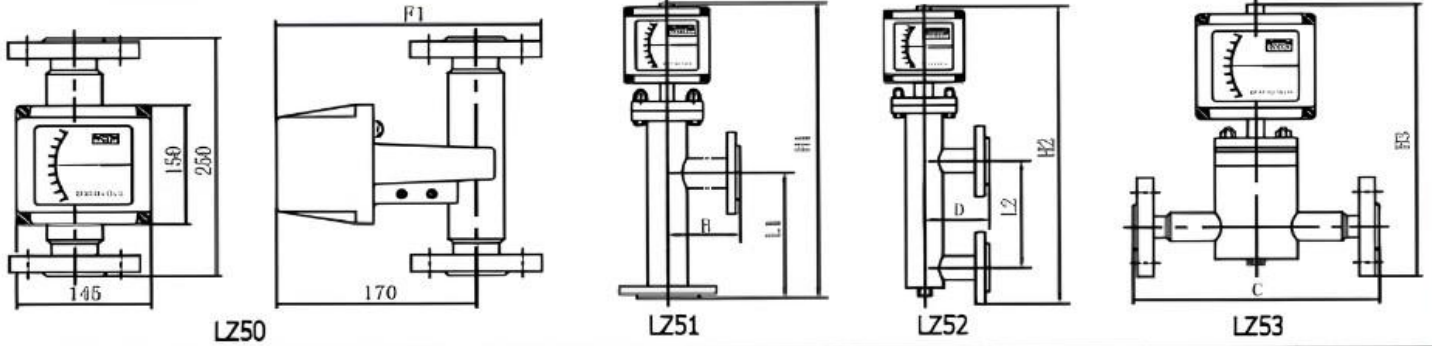
# MEDIDOR DE VAZÃO DE ÁREA VARIÁVEL TOTAL INOX (ROTÁMETRO) SÉRIE LZ



- Construído totalmente em aço inox
- Indicação através de ponteiro magnético
- Proteção: IP67
- PN -30
- Precisão: 1,5% F.S.
- Temperatura: -80+300°C
- DN 15 a DN 150

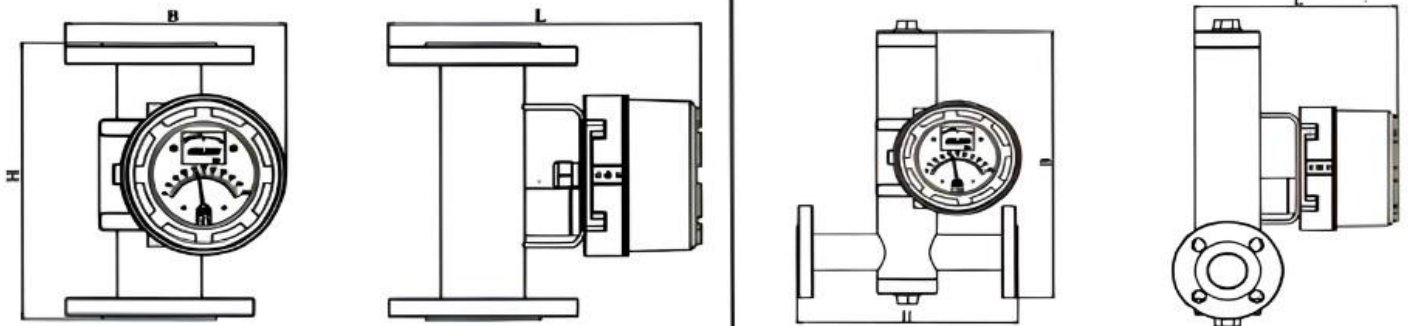
# CAPACIDADES

DN	Float No. Ranger 1:10	SS Max. Flow	Água L/h	PTFE	Ar- Inox 0.1013MPa 20°C Max. m <sup>3</sup> /h	Max. Pressure loss kPa
15	F15.1	16	-	-	0.5	2.0
	F15.2	25	-	16	0.7	2.5
	F15.3	40	-	25	1.1	2.5
	F15.4	63	-	40	1.8	2.5
	F15.5	100	-	63	2.8	2.5
	F15.6	160	-	100	4.8	2.6
	F15.7	250	-	160	7.0	2.7
	F15.8	400	-	250	10.0	2.9
	F15.9	630	-	400	16.0	3.4
20	F20.1	400	400	400	8.6	6.1
	F20.2	600	600	600	11.1	7.3
	F20.3	1000	1000	1000	11.1	7.3
25	F25.1	630	400	400	16	4.0
	F25.2	1000	630	630	30	4.1
	F25.3	1600	1000	1000	45	4.4
	F25.4	2500	1600	1600	70	5.2
	F25.5	4000	2500	2500	110	7.0
	F25.6	6300	4000	4000	180	12.5
50	F55.1	6300	4000	4000	180	4.7
	F55.2	10000	6300	6300	250	5.1
	F55.3	16000	10000	10000	400	6.2
	F55.4	25000	16000	16000	1000	8.0
80	F85.1	25000	16000	16000	1000	5.3
	F85.2	40000	25000	25000	1200	7.8
	F85.3	63000	40000	40000	1800	9.4
100	F105.1	63000	40000	40000	1800	11.4
	F105.2	100000	63000	63000	3000	16.7
150	F155.1	150000	100000	100000	4000	25.0



DN	F1	C	H3	B	L1	H1	D	L2	H2
15	220	250	380	120	250	350	120	250	500
25	230	250	400	120	250	350	120	250	500
50	255	250	480	120	250	600	120	250	650
80	270	350	540	150	250	700	150	300	800
100	280	350	580	150	250	760	150	300	800
150	320	400	700	180	300	800	180	350	850

M1 indicator for vertical, bottom to side, side to side, horizontal connections



Size	DN15	DN25	DN50	DN80	DN100	DN150
L	165	180	220	250	270	310
B	220	235	270	290	300	340
H	250	250	250	250	250	400

M2 Indicator vertical connection

Size	DN15	DN25	DN50	DN80	DN100	DN150
L	210	230	260	310	360	400
B	335	335	340	360	400	500
H	250	250	250	250	350	400

M2 Indicator horizontal connection

Standard dimension				Parafusos			Max. torques			
DIN2501		ANSI B16.5		DIN	ANSI		DIN		ANSI	
DN mm	PN bar	inches	lbs		150lbs	300lbs	Nm	ft.lbf	150 lbs	
									Nm	ft.lbf
15	40	1/2 "	150/300	4×M12	4×1/2 "	4×1/2 "	9.3	6.7	3.5	2.5
25	40	1 "	150/300	4×M12	4×1/2 "	4×5/8 "	22.0	15.9	6.7	4.8
50	40	2 "	150/300	4×M16	4×5/8 "	4×5/8 "	55.0	39.8	24.0	17.4
80	16	3 "	150/300	8×M16	8×5/8 "	8×3/4 "	47.0	34.0	43.0	31.1
100	16	4 "	150/300	8×M16	8×5/8 "	8×3/4 "	39.0	28.2	34.0	24.6

10 Nm=1.0kmP=7.23ft.lbf